

STARFISH WIFI SMART 4" LED DOWNLIGHT

Model: S11259, S11285

SATCO® | NUVO®

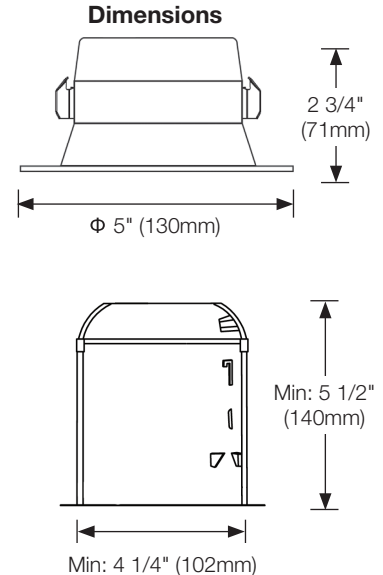
INSTALLATION AND SAFETY INSTRUCTIONS

IMPORTANT: Read before installing fixture. Retain for future reference.

WARNING: Risk of Fire or Electric Shock

- LED Retrofit Kit installation requires knowledge of luminaires electrical systems. If not qualified, do not attempt installation. Contact a qualified electrician.
- To reduce risk of fire and over-heating, secure all connections.
- TURN OFF the electrical power before proceeding.
- Install this kit only in luminaires that have the construction features and dimensions shown in the photographs and/or drawings and where the input rating of the retrofit kit does not exceed the input rating of the luminaire.
- The electrical rating of this product is 120V/60Hz.
- To prevent wiring damage or abrasion, do not expose wiring to edges of sheet metal or other sharp objects.
- Do not make or alter any open holes in an enclosure of wiring or electrical components during kit installation.
- This retrofit kit is accepted as a component of a luminaire where the suitability of the combination shall be determined by authorities having jurisdiction.
- This device is not intended for use with emergency exits.
- Suitable for wet locations, covered ceiling-mounted luminaire.

WARRANTY: This product is guaranteed for a 5-year warranty. Any quality issue in normal use within the warranty period, will be repaired or replaced according to the situation and under the condition specifications can be provided. Visit www.Satco.com for full warranty details and dimmer compatibility information.



INSTALLATION

STEP 1: Turn OFF power prior to installation.

STEP 2: Remove existing trim installed in recessed housing (if necessary).

STEP 3: If applicable, slide lamp holder bracket to its upward maximum position. If the lamp holder bracket is less than 4 1/2" from the bottom edge of the fixture enclosure, the lamp holder bracket must be removed.

STEP 4: If necessary, remove the lamp holder mounting bracket and the lamp holder from the bracket, then attach the provided label to the existing luminaire. See Figure A.

STEP 5: Install adaptor into socket. See Figure B.

STEP 6: Connect the orange terminals together. See Figure C.

STEP 7: Insert torsion springs into luminaire housing brackets. See Figure D.

STEP 8: Gently push up trim and torsion springs so they begin to expand and lift trim in place. See Figure E. Installation is complete. Turn power ON.

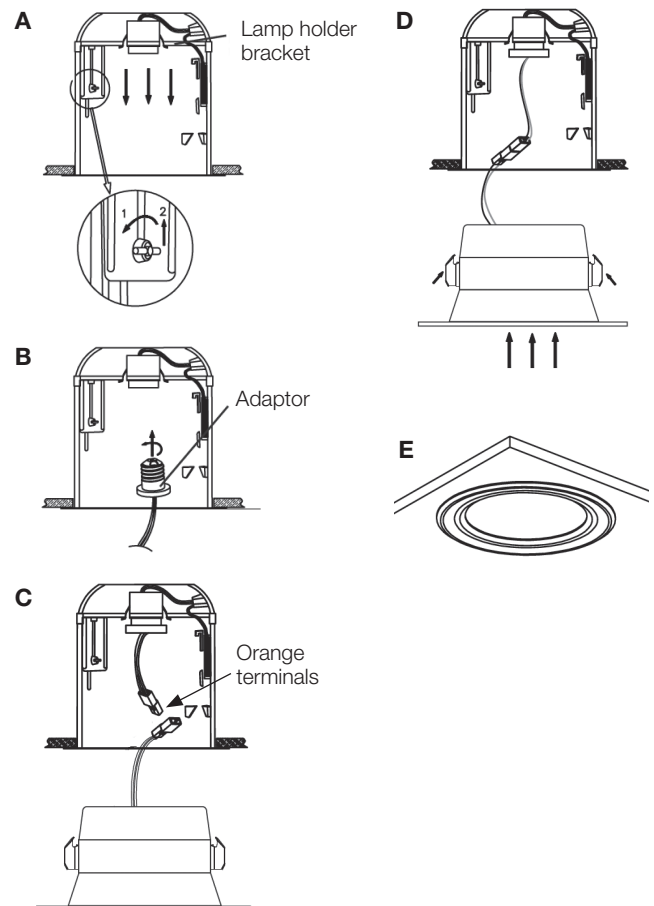
STEP 9: App Connection: To connect your device, download the free "Starfish Smart Lighting" App from the app store. Please refer to our Starfish User Guide for detailed instructions on how to pair your device.

For Installation into existing recessed LED luminaire with compatible connectors:

- Follow STEPS 1 and 2 above.

STEP 3: Discard medium base adaptor.

- Skip STEPS 4 and 5 above. Continue with STEPS 6, 7 and 8 above.



Download the
STARFISH App



SATCO®

Satco Products, Inc.
Brentwood, NY 11717